

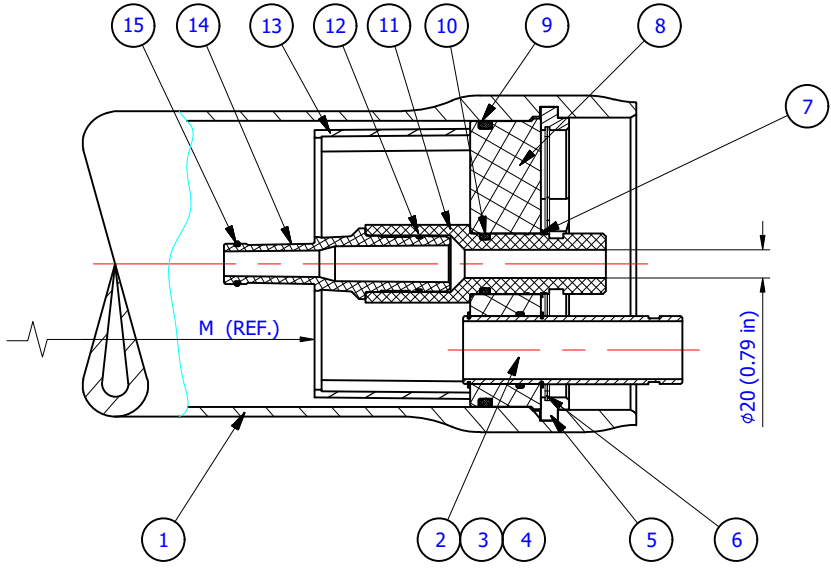
**LENNTECH**

info@lennotech.com Tel. +31-152-610-900  
www.lennotech.com Fax. +31-152-616-289

This drawing is an integral part of the general statement of use and technical manual

Notes:

1. All dimensions are for reference only, not for construction unless certified.
2. Item 16 & 17 should be located on feed side.
3. Drawing unit: mm. (inches)
4. Saddles can be shimmed if required.
5. Do not scale drawing, may be reprinted on any paper size or copied.
6. The vessel is supplied with two strap assembly.



Warning.

1. Never pressurize a pressure vessel that was not loaded with membrane elements.
2. Wrong manifolding may effect an excessive pressure on port what can lead to leaks.
3. Max. allowable working pressure not to exceed 300 psi. (20.7 bar).
4. Permeate internal pressure not to exceed 125 psi. (8.6 bar).
5. Operating temperature not to exceed 49°C (120°F).

Shell length code	L (l.o.a.) mm. inch	S# (span) mm. inch	M, mm/in length for membranes elements	W weight kg. lb.	Article number
1	1446	710	1032	27	80300-1
	56.9	28	40.6	60	
2	2462	1550	2048	37	80300-2
	96.9	61	80.6	81	
3	3478	2550	3064	46	80300-3
	136.9	100	120.6	101	
4	4494	3250	4080	55	80300-4
	176.9	128	160.6	122	
5	5510	4250	5096	65	80300-5
	216.9	167	200.6	143	
6	6526	5250	6112	74	80300-6
	256.9	207	240.6	164	
7	7542	6250	7128	84	80300-7
	296.9	246	280.6	184	
8	8558	7250	8144	93	80300-8
	336.9	285	320.6	205	

Item	Qty	Part Number	Description	Material
1	1	80300-0	Body of Pressure Vessel	Glass/Epoxy, acc. F.1.202
2	2	009-160-0600	End Port 1.5"	316 Stainless steel
3	4	55412335	Retaining ring for port	316 Stainless steel
4	2	55412225	Seal for endport	EPDM
5	2	285034015	Support ring	Engineering plastic
6	2	011-801-1202	Retaining ring (finger hook)	316 Stainless steel
7	2	283772336	Retaining ring for p.port	316 Stainless steel
8	2	003-800-0450	Base plate	Engineering plastic
9	2	55412339	Seal for sealing plate	EPDM
10	2	283776342	Seal for p. port	EPDM
11	2	008-801-0125	Permeate port 1.25" BSP	Engineering plastic
12	2	285773918	Seal for Adapter	EPDM
13	1	55410419	Thrust ring	Engineering plastic
14	2	As required	Adapter	Engineering plastic
15	2-4	As required	Membrane seal	EPDM
16	0-3	285779231	Disk spacer - 1mm	Engineering plastic
17	0-7	285779233	Disk spacer - 3mm	Engineering plastic
18	2	55410310	Strap Assy.	316 Stainless steel
19	2-3	55410351	Saddle	Engineering plastic

**BEL** TITLE: BEL8-E-300 psi. - non code RO PRESSURE VESSEL

DESIGN	DMG	21/06/2017
CHECK	JMEP	21/06/2017
APPR.	MAF	21/06/2017

DRAWING NO: BEL8-E-300

THIS DRAWING IS PROPERTY OF BEL GROUP LIMITED IT IS STRICTLY FORBIDDEN TO USE, COPY, REPRODUCE OR DISCLOSE ANY PART OF IT TO THIRD PARTY WITHOUT WRITTEN AUTHORIZATION.

REV.: 6



**ORDER / R.F.Q. FORM - 8" END PORT PRESSURE VESSELS**  
*Please fill and send it to your contact at Lenntech*

**P.O. / R.F.Q. Number:**

**Customer name:**

**1. NEW SYSTEM / EXISTING SYSTEM or Replacement** , please provide details:

**2. NUMBER OF VESSELS: Units**  
*(Please use separate forms for each type in case of multi-type orders)*

**3. WORKING PRESSURE RATE (PSI):** 300 450 600 1,000 1,200 1,500

**4. NUMBER OF MEMBRANE ELEMENTS IN EACH VESSEL:** (1,,,,,8)

**5. MEMBRANE BRAND AND TYPE:**  
*(Please add membrane data sheet)*

**6. CONFIRM TYPE: BEL8-E- - M**  
Pressure # of membranes

**7. PERMEATE PORTS OUTLET: 1.25" BSP male**

**8. ASME code SEC. X, RP stamped vessel:** NO YES *(please contact for pricing)*

**9. ADAPTERS OPTIONS:** Two Standard adapters Standard & Solid (blind) adapter

**10. COLOR:** Standard (white, RAL 9010) Other RAL number: *(contact for pricing)*

Customer signature:

Date: