

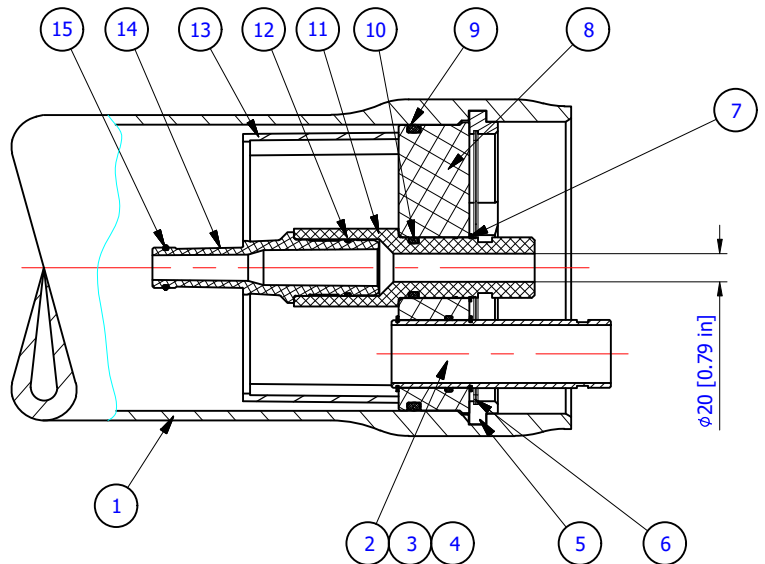
**LENNTECH**  
 info@lennotech.com Tel. +31-152-610-900  
 www.lennotech.com Fax +31-152-616-289

Notes:

1. All dimensions are for reference only, not for construction unless certified.
2. Item 16 & 17 should be located on feed side.
3. Drawing unit: mm. (inches)
4. Saddles can be shimmed if required.
5. Do not scale drawing, may be reprinted on any paper size or copied.
6. The vessel is supplied with two strap assembly.

This drawing is an integral part of the general statement of use and Technical Manual

| Shell length code | L (l.o.a.)<br>mm.<br>inch | S# (span)<br>mm.<br>inch | M, mm/in length for membranes elements | W weight<br>kg.<br>lb. | Article number |
|-------------------|---------------------------|--------------------------|--|------------------------|----------------|
| 1                 | 1456                      | 710                      | 1032                                   | 29                     | 80450-1        |
|                   | 57.3                      | 28                       | 40.6                                   | 64                     |                |
| 2                 | 2472                      | 1550                     | 2048                                   | 40                     | 80450-2        |
|                   | 97.3                      | 61                       | 80.6                                   | 87                     |                |
| 3                 | 3488                      | 2550                     | 3064                                   | 50                     | 80450-3        |
|                   | 137.3                     | 100                      | 120.6                                  | 111                    |                |
| 4                 | 4504                      | 3250                     | 4080                                   | 61                     | 80450-4        |
|                   | 177.3                     | 128                      | 160.6                                  | 135                    |                |
| 5                 | 5520                      | 4250                     | 5096                                   | 72                     | 80450-5        |
|                   | 217.3                     | 167                      | 200.6                                  | 159                    |                |
| 6                 | 6536                      | 5250                     | 6112                                   | 83                     | 80450-6        |
|                   | 257.3                     | 207                      | 240.6                                  | 183                    |                |
| 7                 | 7552                      | 6250                     | 7128                                   | 94                     | 80450-7        |
|                   | 297.3                     | 246                      | 280.6                                  | 207                    |                |
| 8                 | 8568                      | 7250                     | 8144                                   | 104                    | 80450-8        |
|                   | 337.3                     | 285                      | 320.6                                  | 230                    |                |



Warning.

1. Never pressurize a pressure vessel that was not loaded with membrane elements.
2. Wrong manifolding may effect an excessive pressure on port what can lead to leaks.
3. Max. allowable working pressure not to exceed 450 psi. (31 bar).
4. Permeate internal pressure not to exceed 125 psi. (8.6 bar).
5. Operating temperature not to exceed 49°C (120°F).

| Item | Q-ty | Part Number  | Description                  | Material                 |
|------|------|--------------|------------------------------|--------------------------|
| 1    | 1    | 80450-0      | Body of Pressure Vessel      | Glass/Epoxy, acc. F.1202 |
| 2    | 2    | 009-150-0600 | End Port 1.5"                | 316 Stainless steel      |
| 3    | 4    | 55412335     | Retaining ring for port      | 316 Stainless steel      |
| 4    | 2    | 55412225     | Seal for endpoint            | EPDM                     |
| 5    | 2    | 55410299     | Support ring                 | Aluminum                 |
| 6    | 2    | 011-801-1202 | Retaining ring (finger hook) | 316 Stainless steel      |
| 7    | 2    | 283772336    | Retaining ring for p.port    | 316 Stainless steel      |
| 8    | 2    | 003-800-0450 | Base plate                   | Engineering plastic      |
| 9    | 2    | 55412339     | Seal for sealing plate       | EPDM                     |
| 10   | 2    | 283776342    | Seal for p. port             | EPDM                     |
| 11   | 2    | 008-801-0125 | Permeate port 1.25" BSP      | Engineering plastic      |
| 12   | 2    | 285773918    | Seal for Adapter             | EPDM                     |
| 13   | 1    | 55410419     | Thrust ring                  | Engineering plastic      |
| 14   | 2    | As required  | Adapter                      | Engineering plastic      |
| 15   | 2-4  | As required  | Membrane seal                | EPDM                     |
| 16   | 0-3  | 285779231    | Disk spacer - 1mm            | Engineering plastic      |
| 17   | 0-7  | 285779233    | Disk spacer - 3mm            | Engineering plastic      |
| 18   | 2    | 55410310     | Strap Assy.                  | 316 Stainless steel      |
| 19   | 2-3  | 55410351     | Saddle                       | Engineering plastic      |

**BEL** TITLE: BEL8-E-450 psi. - non code RO PRESSURE VESSEL

|        |      |            |
|--------|------|------------|
| DESIGN | DMG  | 21/06/2017 |
| CHECK  | JMEP | 21/06/2017 |
| APPR.  | MAF  | 21/06/2017 |

DRAWING NO: BEL8-E-450

THIS DRAWING IS PROPERTY OF BEL GROUP LIMITED IT IS STRICTLY FORBIDDEN TO USE, COPY, REPRODUCE OR DISCLOSE ANY PART OF IT TO THIRD PARTY WITHOUT WRITTEN AUTHORIZATION.

REV.: 6



**ORDER / R.F.Q. FORM - 8" END PORT PRESSURE VESSELS**

*Please fill and send it to your contact at Lenntech*

**P.O. / R.F.Q. Number:**

**Customer name:**

**1. NEW SYSTEM / EXISTING SYSTEM or Replacement** , please provide details:

**2. NUMBER OF VESSELS: Units**

*(Please use separate forms for each type in case of multi-type orders)*

**3. WORKING PRESSURE RATE (PSI):** 300 450 600 1,000 1,200 1,500

**4. NUMBER OF MEMBRANE ELEMENTS IN EACH VESSEL:** (1,,,,,8)

**5. MEMBRANE BRAND AND TYPE:**

*(Please add membrane data sheet)*

**6. CONFIRM TYPE: BEL8-E- - M**  
Pressure # of membranes

**7. PERMEATE PORTS OUTLET: 1.25" BSP male**

**8. ASME code SEC. X, RP stamped vessel:** NO YES *(please contact for pricing)*

**9. ADAPTERS OPTIONS:** Two Standard adapters Standard & Solid (blind) adapter

**10. COLOR:** Standard (white, RAL 9010) Other RAL number: *(contact for pricing)*

Customer signature:

Date:

**LENNTECH**

info@lenntech.com Tel. +31-152-610-900  
www.lenntech.com Fax. +31-152-616-289