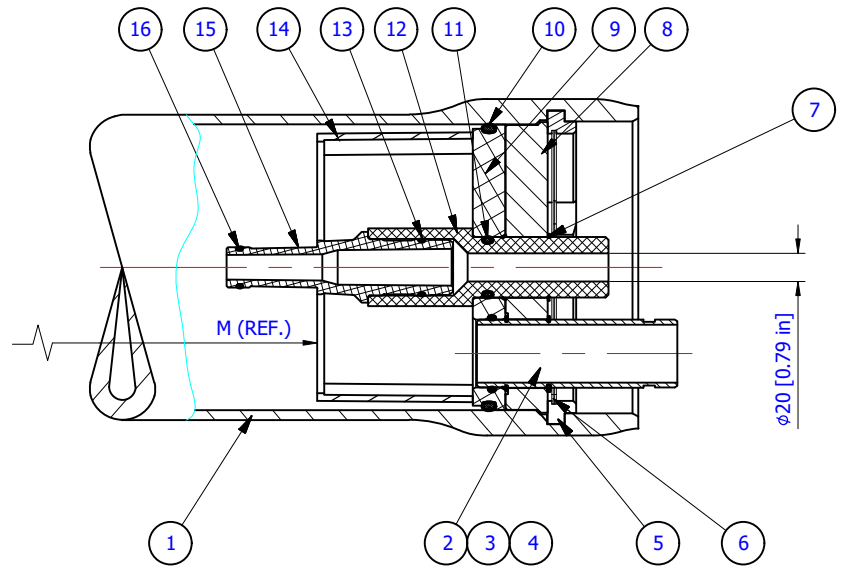


Notes:

1. All dimensions are for reference only, not for construction unless certified.
2. For membranes shimming (if needed) use disks spacers (item 17 & 18) on feed side of the vessels.
3. Drawing unit: mm. (inches)
4. Saddles can be shimmed if required.
5. Do not scale drawing, may be reprinted on any paper size or copied.
6. The vessel is supplied with two strap assembly.
7. * - ASME parts.

LENNTECH
 info@lenntech.com Tel. +31-152-610-900
 www.lenntech.com Fax. +31-152-616-289

This drawing is an integral part of the general statement of use and Technical Manual



Warning.

1. Never pressurize a pressure vessel that was not loaded with membrane elements.
2. Wrong manifolding may cause an excessive pressure on port what can lead to leaks.
3. Max. allowable working pressure not to exceed 600 psi. (41.4 bar).
4. Permeate internal pressure not to exceed 125 psi. (8.6 bar).
5. Operating temperature not to exceed 49°C (120°F).

Item	Q-ty	Part Number	Description	Material
1*	1	80600-0	Body of Pressure Vessel	Glass/Epoxy
2*	2	009-150-0602	End Port 1.5"	316 Stainless steel
3	4	55412335	Retaining ring for port	316 Stainless steel
4	2	55412225	Seal for endport	EPDM
5*	2	55410299	Support ring	Aluminum
6	2	011-801-1202	Retaining ring (finger hook)	316 Stainless steel
7	2	283772336	Retaining ring for p.port	316 Stainless steel
8*	2	283154220	Base plate	Aluminum
9	2	013-800-1201	Sealing plate	Engineering plastic
10	2	007-080-0092	Seal for sealing plate	EPDM
11	2	283776342	Seal for p. port	EPDM
12	2	008-801-0125	Permeate port 1.25" BSP	Engineering plastic
13	2	285773918	Seal for Adapter	EPDM
14	1	55410419	Thrust ring	Engineering plastic
15	2	As required	Adapter	Engineering plastic
16	2-4	As required	Membrane seal	EPDM
17	0-3	285779231	Disk spacer - 1mm	Engineering plastic
18	0-7	285779233	Disk spacer - 3mm	Engineering plastic
19	2	55410310	Strap Assy.	316 Stainless steel
20	2-3	55410351	Saddle	Engineering plastic

BEL	TITLE:	BEL8-E-600 psi. RO PRESSURE VESSEL	DESIGN	DMG	21/06/2017
	DRAWING NO.:	BEL8-E-600	CHECK	JMEP	21/06/2017
THIS DRAWING IS PROPERTY OF BEL GROUP LIMITED IT IS STRICTLY FORBIDDEN TO USE, COPY, REPRODUCE OR DISCLOSE ANY PART OF IT TO THIRD PARTY WITHOUT WRITTEN AUTHORIZATION.			APPR.	MAF	21/06/2017
					REV.: 6



ORDER / R.F.Q. FORM - 8" END PORT PRESSURE VESSELS

Please fill and send it to your contact at Lenntech

P.O. / R.F.Q. Number:

Customer name:

1. NEW SYSTEM / EXISTING SYSTEM or Replacement , please provide details:

2. NUMBER OF VESSELS: Units

(Please use separate forms for each type in case of multi-type orders)

3. WORKING PRESSURE RATE (PSI): 300 450 600 1,000 1,200 1,500

4. NUMBER OF MEMBRANE ELEMENTS IN EACH VESSEL: (1,,,,,,8)

5. MEMBRANE BRAND AND TYPE:

(Please add membrane data sheet)

6. CONFIRM TYPE: BEL8-E- - M
Pressure # of membranes

7. PERMEATE PORTS OUTLET: 1.25" BSP male

8. ASME code SEC. X, RP stamped vessel: NO YES *(please contact for pricing)*

9. ADAPTERS OPTIONS: Two Standard adapters Standard & Solid (blind) adapter

10. COLOR: Standard (white, RAL 9010) Other RAL number: *(contact for pricing)*

Customer signature:

Date:

LENNTECH

info@lenntech.com Tel. +31-152-610-900
www.lenntech.com Fax. +31-152-616-289

FOR DETAILS PLEASE VISIT OUR WEBSITE: www.belvessels.com

July, 2017